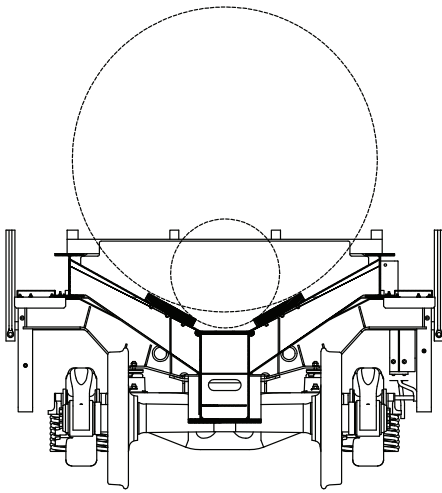
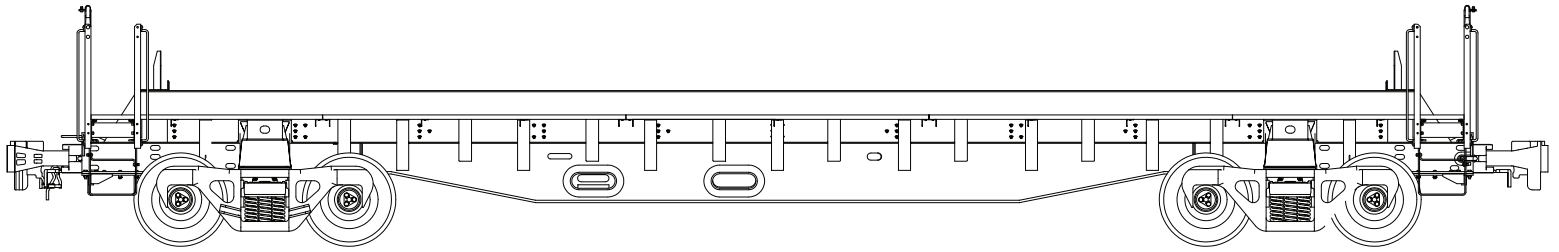


42' COILED STEEL GONDOLA



42' COILED STEEL GONDOLA

This 42' gondola car is specifically designed for transporting steel coils. The inside trough and top cords ensure the steel is secure during transit. Our steel coil gondola design is capable of shipping coils ranging from 30" to 84" in diameter. We also provide a custom fit, reliable cover to protect your steel until it is unloaded at its destination.

DIMENSIONS (APPROX.)

LENGTH, INSIDE	.42'-1 1/2"
LENGTH OVER COUPLERS	.52'-10"
LENGTH, TRUCK CENTERS	.35'-6"
COIL SIZE CAPACITY	.30" – 84"
HEIGHT, TOP OF RAIL TO TOP OF CORD	5'-2 11/16"
HEIGHT, EXTREME OVER HANDRAIL (NO COVER)	8'1 13/16"
HEIGHT, EXTREME (WITH COVER)	12'-10 1/16"
WIDTH, INSIDE OF SIDE TOP CHORDS	6'-5 9/16"
WIDTH, EXTREME	10'-0 1/2"
CLEARANCE:	AAR PLATE B

WEIGHT/CAPACITY (EST.)

LIGHT WEIGHT, CAR ONLY	47,000 LBS
LIGHT WEIGHT, WITH COVER + DIVIDER BARS	56,000
LOAD LIMIT, WITH COVER + DIVIDER BARS	239,000
GROSS RAIL LOAD	286,000

CURVE NEGOTIABILITY RADIUS

UNCOUPLED	150'
COUPLED TO LIKE CAR	215'
COUPLED TO 40' BASE CAR	215'

THESE GENERAL DIMENSIONS ARE REPRESENTATIVE AND SUBJECT TO CHANGE WITHOUT NOTICE AS REQUIRED BY CUSTOMER SPECIFICATIONS OR DESIGN IMPROVEMENTS BY THE GREENBRIER COS.