

3250 and 3720 Pressureaide® Covered Hopper Railcar

Pressureaide® covered hopper railcars are engineered to transport a wide variety of fluidizable dry bulk products. Our pressure differential railcars are designed and built to accept interior coatings compatible with the intended product service. Each railcar comes equipped with proprietary pressure differential pneumatic unloading system, which consists of all piping and fittings required to connect at the unloading facility, including air flow and product discharge valves, pressure gauges and pressure relief devices. The Pressureaide® railcar operates with internal air pressures up to 14.5 PSI allowing for safe, efficient product transfer.

DIMENSIONS (APPROX.)	3250	3720
Length, inside	39'-7 3/4"	41'-4 15/16"
Length, over couplers	44'-2 5/16"	46'-2 5/16"
Height, inside	14'-7"	15'-1"
Height, extreme	15'	15'-5 13/16"
Clearance	AAR Plate C	AAR Plate C
Outlets	Manifold	Manifold
Width, extreme	10'-4"	10'-4"
Hoppers	3	3
Hatch Covers	(3) 20" dia.	(3) 20" dia.

WEIGHT/CAPACITY (EST.)	3250	3720
Light weight	55,600 lbs.	56,300 lbs.
Load limit	230,400 lbs.	229,700 lbs.
Gross rail load	286,000 lbs.	286,000 lbs.
Capacity	3,250 cu. ft.	3,720 cu. ft.

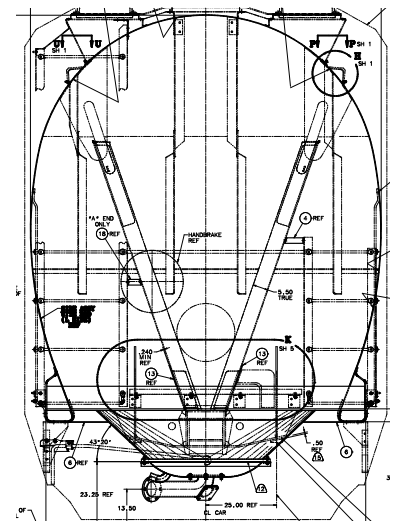
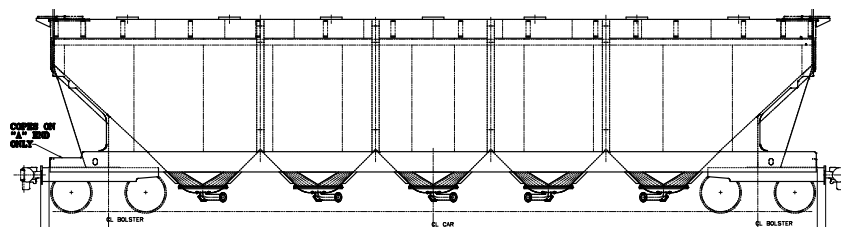
CURVE NEGOTIABILITY RADIUS	3250	3720
Uncoupled	150'	150'
Coupled to base car	154'	162'
Coupled to like car	149'	158'



THE GREENBRIER COMPANIES

One Centerpoint Drive, Suite 200
Lake Oswego, Oregon 97035

info@gbrx.com



These general dimensions are representative and subject to change without notice.