

23,500 Gallon Stainless Steel Tank Car

This 23,500 gallon stainless tank car meets DOT 111A100W6 specifications and is designed to transport non-flammable liquids while ensuring product purity. Various options for loading/unloading valve configurations are available depending on the service requirements.

DIMENSIONS (APPROX.)

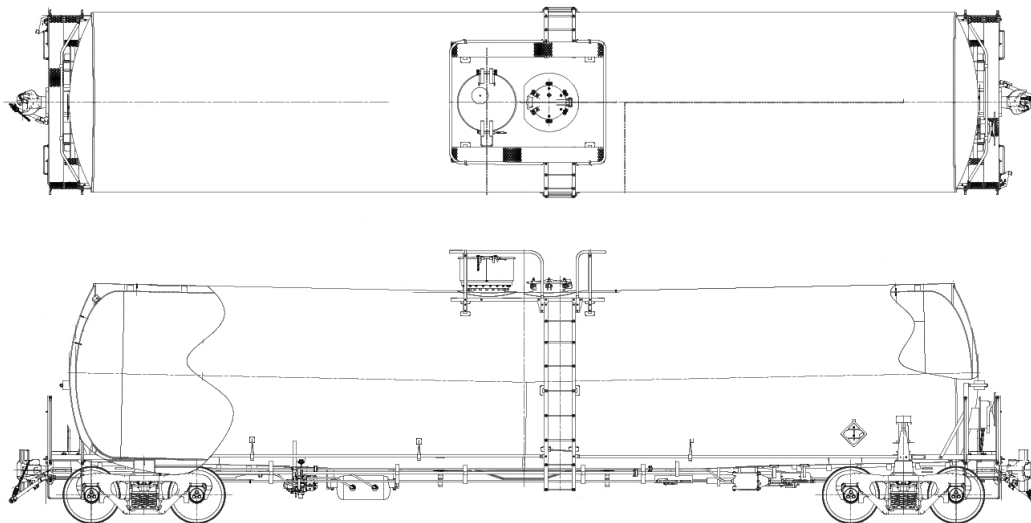
Length over truck centers	42'-1.375"
Height, extreme	15'-0.75"
Width, extreme	10'-6.625"
Tank, Inside Diameter	9'-1.1875"
Length over pulling faces	55'-7.125"
Clearance	AAR Plate B

WEIGHT/CAPACITY (EST.)

Capacity	23,500 gal.
Light weight	77,400 lbs.
Load limit	208,600 lbs.
Gross rail load	286,000 lbs.

CURVE NEGOTIABILITY RADIUS

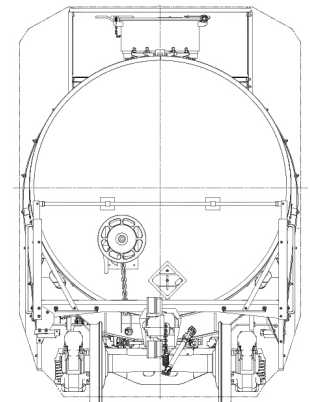
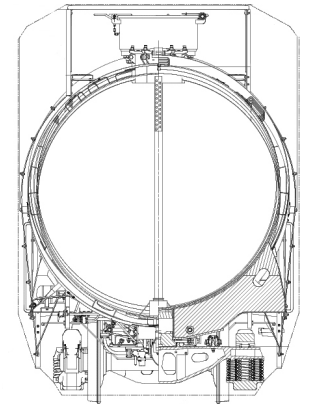
Uncoupled	150'
Coupled to like car	201'
Coupled base car	199'



THE GREENBRIER COMPANIES

One Centerpoint Drive, Suite 200
Lake Oswego, Oregon 97035

info@gbrx.com



These general dimensions are representative and subject to change without notice.