

Bottom Outlet Valve Handle Operation

FLAMMABLE LIQUIDS



BOV handle designed with the operator in mind. Single-pin design is fast and easy.

THE GREENBRIER COMPANIES
One Centerpointe Drive, Suite 200
Lake Oswego, Oregon 97035
info@gbrx.com

www.gbrx.com

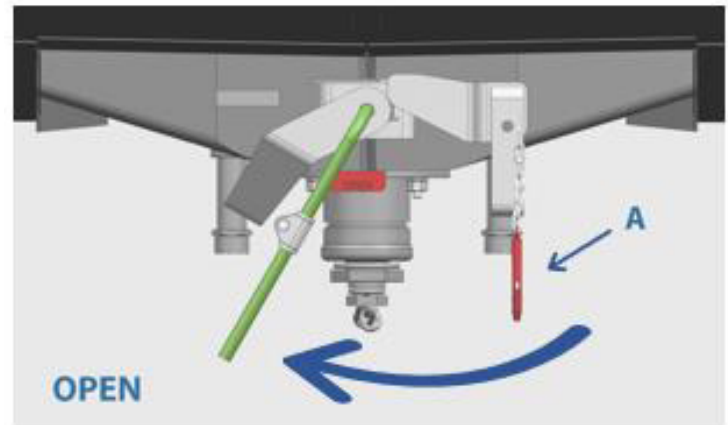
THE
GREENBRIER
COMPANIES

October 20, 2020

BOV Handle Operating Instructions

To Open

1. Remove all seal provisions
2. Remove locking pin A
3. Move handle from stowed position to closed position
4. Push handle in, toward BOV, until fully engaged, and handle is clear of locking bracket
5. Rotate handle clockwise to open position



To Close and Stow

1. Rotate handle counter clockwise to close position
2. Pull handle away from BOV and into locking assembly
3. Move handle to stowed position and insert locking pin A
4. Attach seal provisions as required

NOTE: If handle is not present, BOV can be operated with a 1/2" drive.

NOTE: At no time shall the torque applied to the handle exceed 350 ft/lbs.

